

Installation And Care Instructions

Wood Vertical Blind Collection



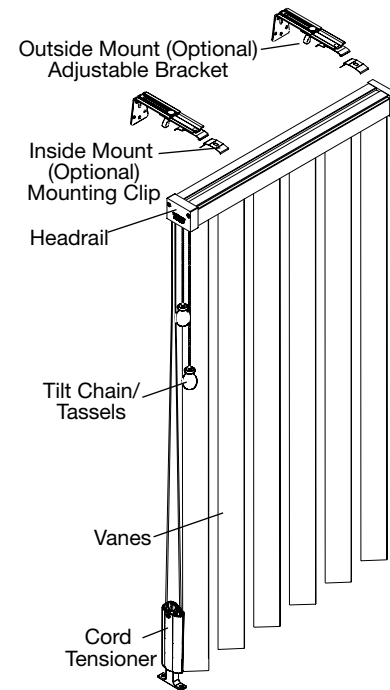
Crosswinds™ With The
PermAlign®
Headrail System

HunterDouglas

THANK YOU for purchasing a Hunter Douglas product. Your new blind has been custom built for you from the highest quality materials. Once in your window, it will provide you with a lifetime of beauty and trouble-free use.

Getting Started

- Remove headrail, vanes and valance (if applicable) from package. Do not discard any of the packaging material until the blind operates to your satisfaction. Please refer to Step 3 prior to unpacking the vanes.
- Check the diagram below to make sure you have the necessary parts. Note: Your valance may require assembly (see Step 5).
- Contents of your hardware package may vary depending upon whether the headrail is mounted inside (IB) or outside (OB) the window frame.






Tools needed for installing your blind:

- Flat blade and Phillips screwdrivers
- Measuring tape
- Pencil
- Power drill, 1/4" hex driver, and drill bits



In addition, you will need fasteners designed to work with your specific mounting surfaces:

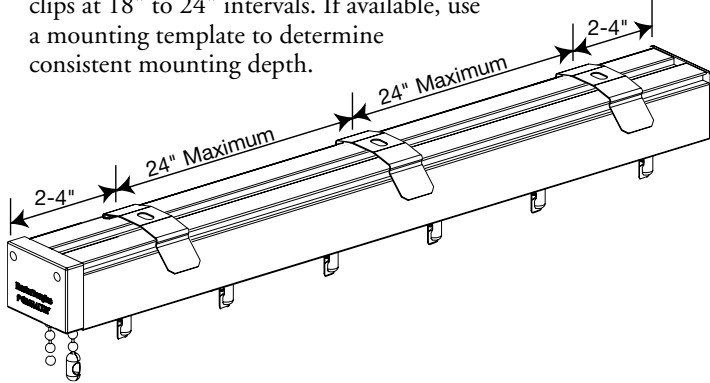
Mounting Surface	Fastener
Wood	No. 6 Hex Head Screws (Not Provided) 
Drywall, Plaster	Wall Anchors, Expansion Bolts (Not Provided) 
Metal	Sheet Metal Screws (Not Provided) 

For assistance, call the Hunter Douglas
Customer Information Center
at 1-888-501-8364
Visit our Web site at hunterdouglas.com

1 Inside Mount Installation

Measure and mark mounting clip location.

- Mark mounting clip locations between 2" and 4" from each end of the headrail. Evenly space intermediate clips between end clips at 18" to 24" intervals. If available, use a mounting template to determine consistent mounting depth.



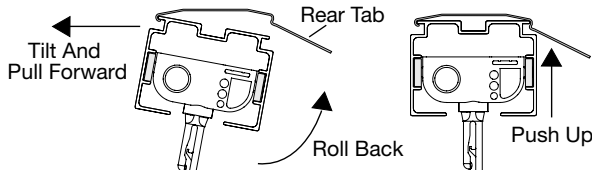
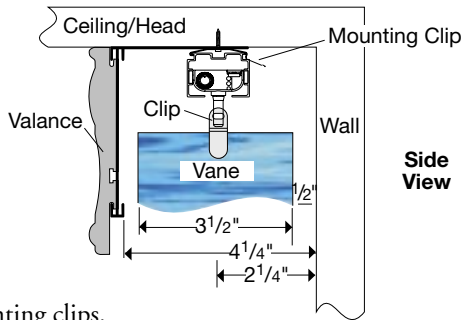
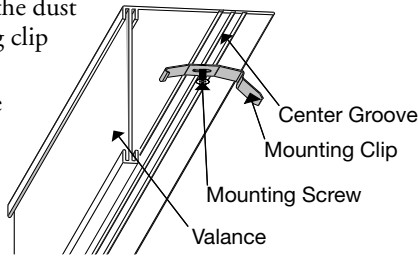
NOTE: If you do not have a mounting template, measure the depth to allow 1/2" clearance between the vane and the window (i.e. 2 1/4" for 3 1/2" vanes). Blinds having widths and lengths greater than 96" will require additional brackets to support the stacked vanes.

NOTE: Refer to Step 5 for valance assembly prior to installing the mounting clips.

NOTE: The inside surface of the valance dust cover has three parallel lines, use the center line to position drill holes.

Install Mounting Clips (And Assembled Valance)

- Drill pilot holes through the dust cover valance at mounting clip locations as marked.
- Insert a screw through the mounting clip.
- Hold the valance in position, ensuring the returns are pushed flush against the wall, and drill through the valance into ceiling.
- Align and tighten the valance against the ceiling into its finished mounting position.
- Position a mounting clip at each hole and screw it in place.
- Center the headrail underneath the mounting clips.
- Tilt the headrail and insert it into the front edge of the mounting clips. Pull forward, then roll the headrail back toward the rear of the blind. Push up and snap into place.

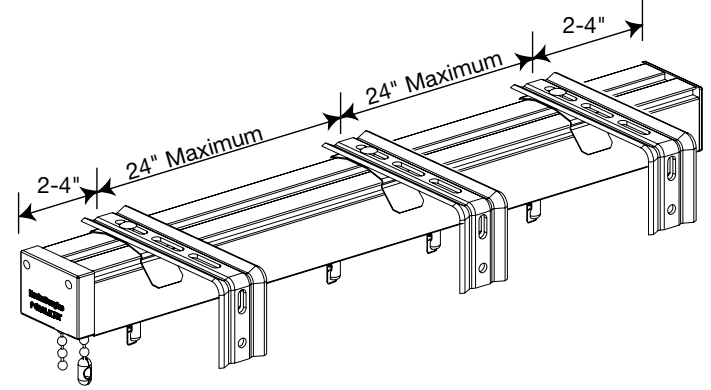


- To remove the headrail, locate the rear tab on the mounting clip.
- Push up on the rear tab to release the headrail.

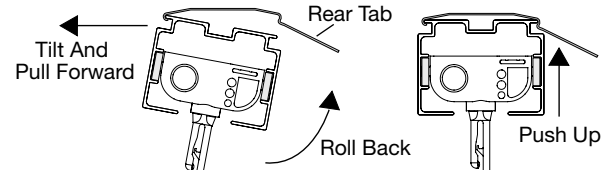
2 Outside Mount Installation

- Attach "L" brackets 2" to 4" from each end of the headrail. Evenly space intermediate brackets between end brackets at 24" to 30" intervals.

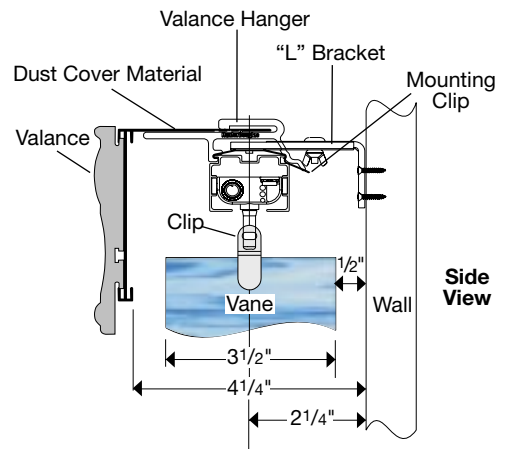
NOTE: Blinds having widths and lengths greater than 96" will require additional brackets to support the vanes at their stacked position.



- Adjust mounting clips to allow 1/2" clearance between the vane and the wall (i.e. 2 1/4" for 3 1/2" vane).
- Center headrail underneath mounting clips.
- Tilt the headrail and insert it into the front edge of the mounting clips. Pull and roll the headrail up toward the rear of the blind and snap into place.



- "Snap" on a valance hanger next to each "L" bracket.
- Center the valance in relationship to the headrail and slide it into the valance hanger.
- Adjust the "L" brackets until valance returns are flush against the wall.



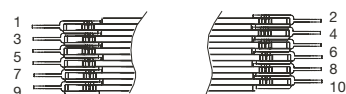
- To remove the headrail, locate the rear tab on the mounting clip.
- Push up on the rear tab to release the headrail.

3 Unpack And Attach The Vanes

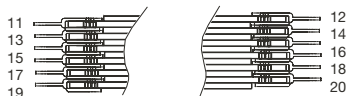
Vane Orientation Instructions

The vanes for this vertical blind have been bundled and arranged in numerical sequence to minimize light gap and ensure the natural beauty of your Crosswinds™ wood vertical blind.

CAUTION: Do not change the vane order during installation.



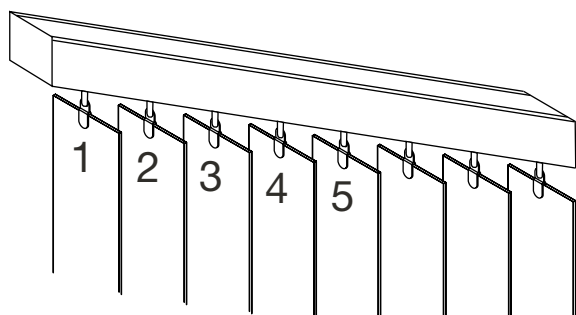
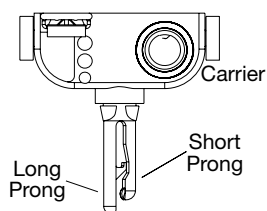
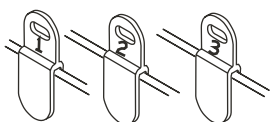
Bundle #1 = Vanes 1-10



Bundle #2 = Vanes 11-20

NOTE: Each vane clip has been marked in a consecutive numerical sequence corresponding to the vane numbered in each bundle. The vanes should be installed with the numbered side of the vane clip facing the room.

- Prior to installing vanes, rotate the vane hook so the slot between the long and the short prong is facing you.
- To install vanes, push the vane into the hook until it “snaps” into place.
- Locate Bundle #1. Hang the first vane marked “1.” Hang the next vane (marked #2). Continue hanging each vane in consecutive order.

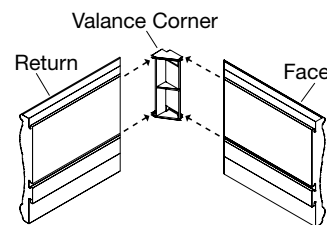


4 Remove The Vanes

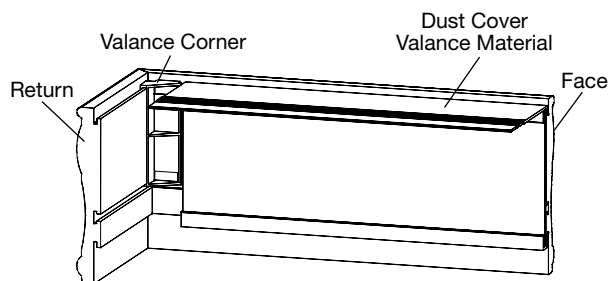
- Push up on the vane.
- Gently open the vane hook by inserting a credit card-sized piece of rigid plastic between the vane and the long prong of the vane hook.
- Carefully remove the vane.

5 Crestover™ Wood Valance Assembly

- The wood valance face has already been inserted into the front of the dust cover valance with the returns packaged separately.
- It is necessary to complete the assembly of the Crestover wood valance prior to the headrail installation. You will need the components (shown at right) for assembly.



NOTE: For installation, the dust cover valance is mounted directly to the windowsill (inside mount) or mounted to the headrail using valance hangers (outside mount). Refer to the special bracket spacing prior to installation.

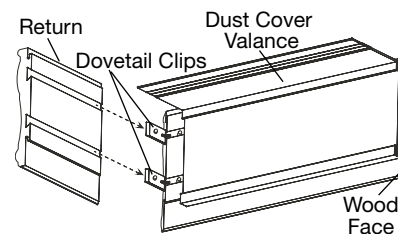


- Install the valance corners onto each end of the valance face. Match up the return miter cuts and profile with the face. Install the returns onto the valance corners at each end.
- The valance assembly is now complete.

Alternative Valance Return Attachment (Using Dovetail Corner Clips)

- Slide the two dovetail clips attached to the wood valance face into the corresponding grooves on the valance returns.

NOTE: If the returns are too long, they can be shortened using a cut-off saw to remove material from the back edge. Do not cut the miter corners to shorten the returns.

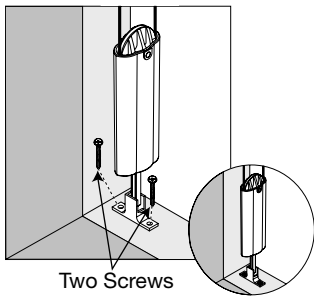


6 Cord Tensioner And Cord Length



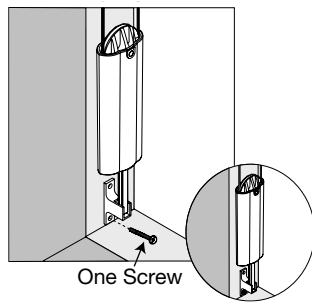
The cord tensioner must be properly installed for the pulley to rotate and for the cords to be kept taut. Proper installation will help reduce the chance of accidental strangulation by making the cords less accessible to young children.

Sill Mounted



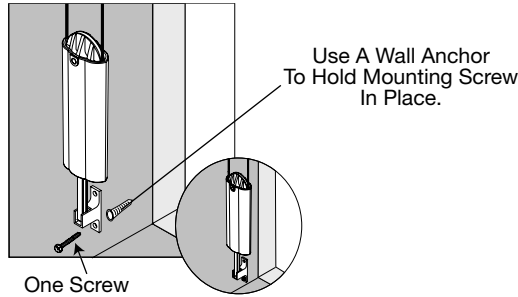
Two Screws

Jamb Mounted



One Screw

Wall Mounted

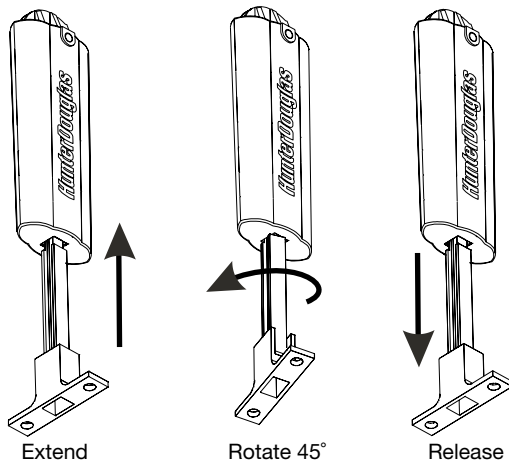


Use A Wall Anchor To Hold Mounting Screw In Place.

One Screw

7 Cord Tensioning

- Determine mounting location. If cord adjustment is required, refer to step 8.
- Fully extend the cord tensioning device, rotate the body 45 degrees and lock it into this extended position.
- Position the cord tensioning device at the mounting location.
- Hold the cord taut with the cord tensioning device in the extended position and mount the base.
- Release the tension by rotating the base 45 degrees relative to the body.



Extend

Rotate 45°

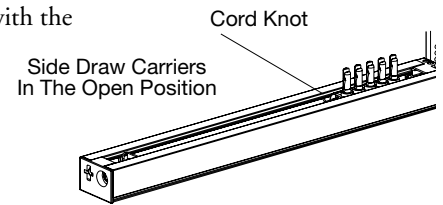
Release

8 Cord Adjustment

To reduce cord length on a Side Draw Blind:

- Release the tension on the cord with the cord tensioner.
- Place the blind in the open position.
- Locate the cord knot in the front of the lead carrier.
- Pull the cord to the desired length.
- Tie a double knot.

- Reset the cord tension with the cord tensioner.
- Test for proper cord tension.
- Cut the excess cord.

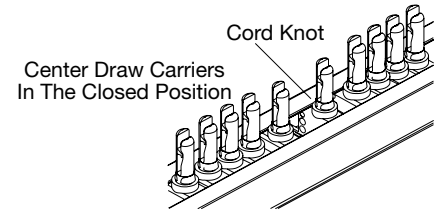


To reduce cord length on Center Draw Blinds:

- Release the tension on the cord with the cord tensioner.
- Place the blind in the closed position.
- Locate the cord ends in the front of the lead carrier.
- Select the cord knot that adjusts the cord length only; if carrier movement is observed, select the other cord.

CAUTION: Cutting the wrong cord will cause irreparable damage.

- Pull the cord to the desired length.
- Tie a double knot.
- Reset the tension with the cord tensioner.
- Test for proper cord tension.
- Cut the excess cord.



9 Care And Cleaning

Dusting

Regular light dusting with a feather duster is all the cleaning that is needed in most circumstances.

Vacuuming

Use a hand-held vacuum with low suction for more thorough dust removal.

Compressed Air

You can use compressed air or a hair dryer (cool setting) to blow the dust off your valance.

Exposure

Protect all fine wood products from exposure to steam or high moisture areas, rain or outside irrigation systems to ensure their long life.

For more comprehensive cleaning instructions, call the Hunter Douglas Customer Information Center toll free at:

1-888-501-8364

8 Cord Adjustment

To reduce cord length on a Side Draw Blind:

- Release the tension on the cord with the cord tensioner.
- Place the blind in the open position.
- Locate the cord knot in the front of the lead carrier.
- Pull the cord to the desired length.
- Tie a double knot.



HunterDouglas

LIGHT CAN CHANGE EVERYTHING™

hunterdouglas.com

© 2005 Hunter Douglas Inc. ® Registered trademark of Hunter Douglas Inc.

™ Trademark of Hunter Douglas Inc.

Patented in the U.S. and foreign countries. Other U.S. and foreign patents pending.



PCN 77CRWII0405

rev. 11/05